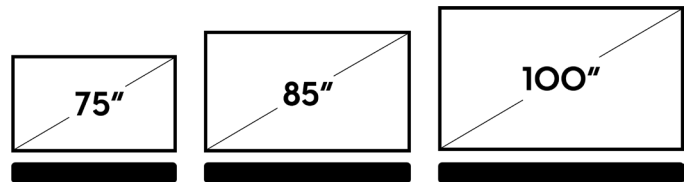




A SOUND EXPERIENCE

The LX-7 is a stylish, high-performance passive loudspeaker, custom-built in Australia for screen sizes 75 inch and above. Featuring left, centre and right channels, it can be combined with surround speakers and an AVR/processor to create a genuine, immersive cinema soundscape without the need for virtual or 'bouncing' effects. The sleek design requires minimal space above or below your screen. The LX-7 is intended to be combined with a Krix subwoofer(s) to accurately reproduce the lowest frequencies for the very highest level of home cinema performance.



Sizes



Tilting bracket

Using the included bracket, the LX-7 can be mounted flush against the wall or at adjustable angles up to 15 degrees for optimal sound dispersion.



Tonally matched

The LX-7 is tonally matched to all Krix surround and overhead speakers.



Unparalleled sound

Three 90 x 90 Krix short throw waveguides significantly improve dispersion characteristics and increase efficiency for very high output levels.



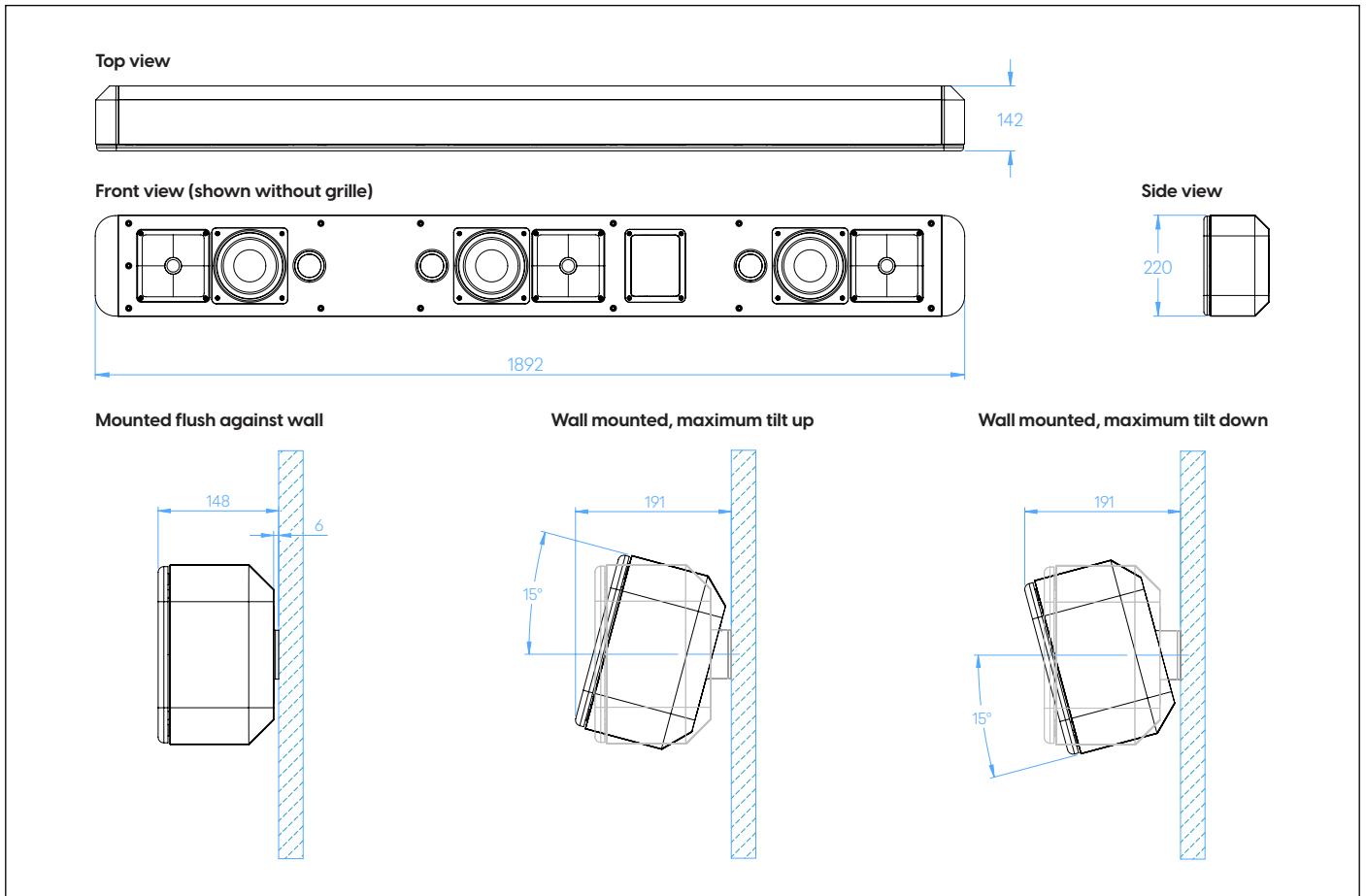
Australian made

Krix has proudly engineered and manufactured speakers in Australia since 1974.



LX - 7 without grille

DIMENSIONS (85")



LX - 7		ENCLOSURE AND TERMINALS	
PERFORMANCE (PER CHANNEL)		ENCLOSURE AND TERMINALS	
Frequency range	60 Hz - 20 kHz (in room response)	Enclosure type	Bass reflex, front vented
Power handling	50 - 250 Watts RMS recommended amplifier power	Input terminals	High current terminals featuring 5mm hole to accept up to 10 AWG cable
Sensitivity	92 dB (2.83V / 1m)	DIMENSIONS / WEIGHT	
Impedance	8 Ohms	Model	Rec. TV sizes
Configuration	2-way	LX-7 75	75 to 84
Crossover point	1.9 kHz	LX-7 85	85 to 97
DRIVERS (PER CHANNEL)		LX-7 100	98 to 115
Low frequency driver	Single 165mm (6 1/2") paper cone. 50mm (2") voice coil wound on high powered kapton former, with ventilated spider and aluminum flux stabilisation ring for low distortion.	LX-7 CL	Width can be customised at time of order.
High frequency driver	26mm (1") doped fabric dome with large roll surround. Ferro fluid cooled. Coupled to a Krix designed 90 x 90 short throw waveguide.	Dimensions	Weight
		LX-7 75	220mm high x 1670mm wide x 142mm deep
		LX-7 85	220mm high x 1892mm wide x 142mm deep
		LX-7 100	220mm high x 2180mm wide x 142mm deep
		LX-7 CL	220mm high x 1670 - 2260mm wide (contact your Krix dealer) x 142mm deep
			25kg
			27kg
			30kg
			25-30kg